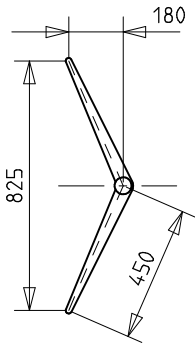


# 13 ft SKIFF

## MAST AND RIGGING MEASUREMENT PLAN

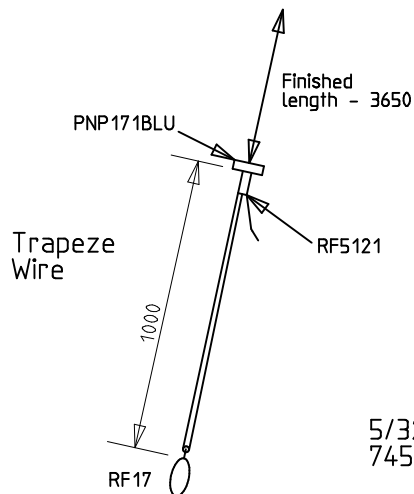
NSW 16 ft SKIFF ASSOCIATION  
 DRW No 13FS/5A JUNE 06



S1 & S2

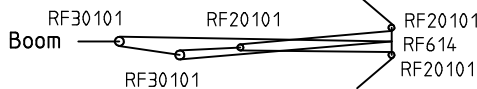
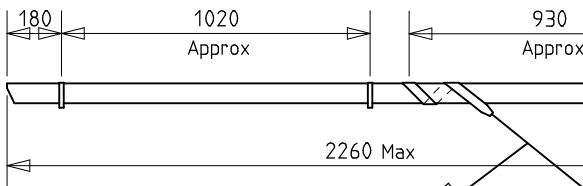
### Wire sizes

- F/Stay 1/8"
- Side stay 3/32"
- Back stay 3/32"
- D1 3/32"



Trapeze Wire

5/32" Saddle  
 745±10 to mast step



Boom

1/4" bolt Eye swage for backstay  
 6370 Max - Mast tip to mast step

Spreader C.L.  
 4370±50 to mast step

Side stay  
 4315±10 to mast step

Forestay keyway  
 4410±10 to mast step

Jib luff keyway  
 4325±10 to mast step

Forestay bearing point to bearing point  
 4750 max  
 4730 min

Spreader C.L.  
 2760±100 to mast step

D1 - 730±10 to mast step

Gooseneck C.L. (RM680)  
 710±10 to mast step

Mast Step